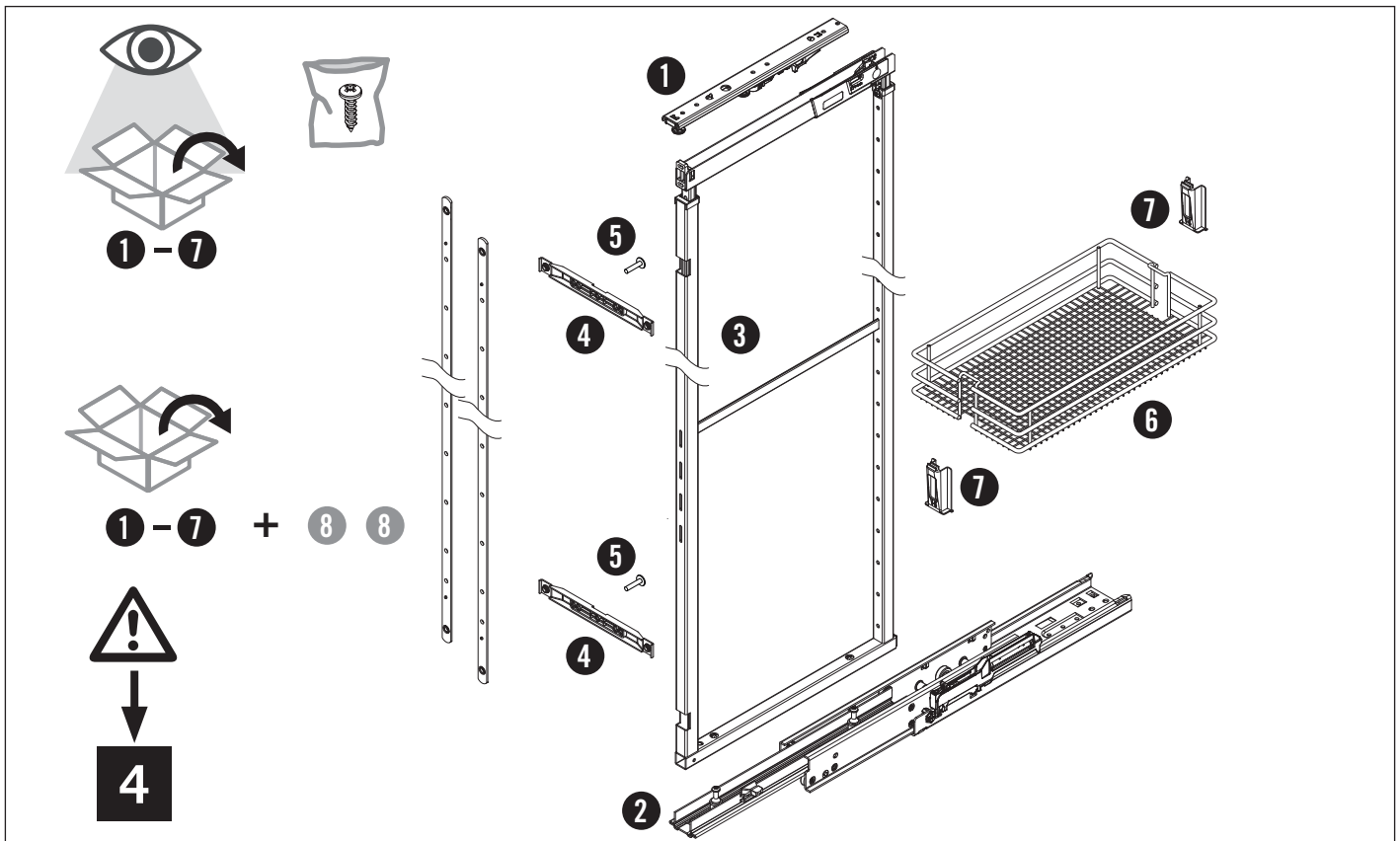
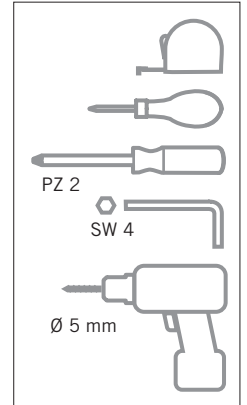
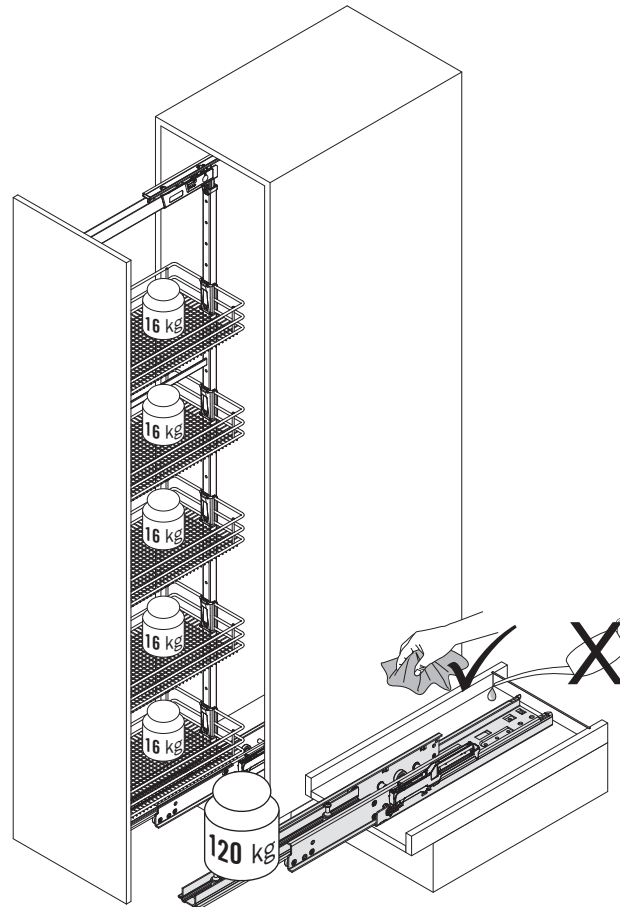
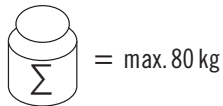
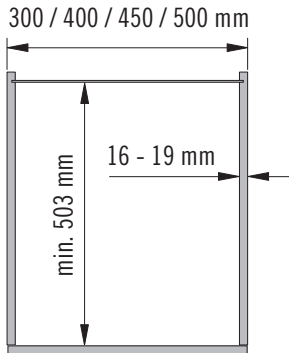
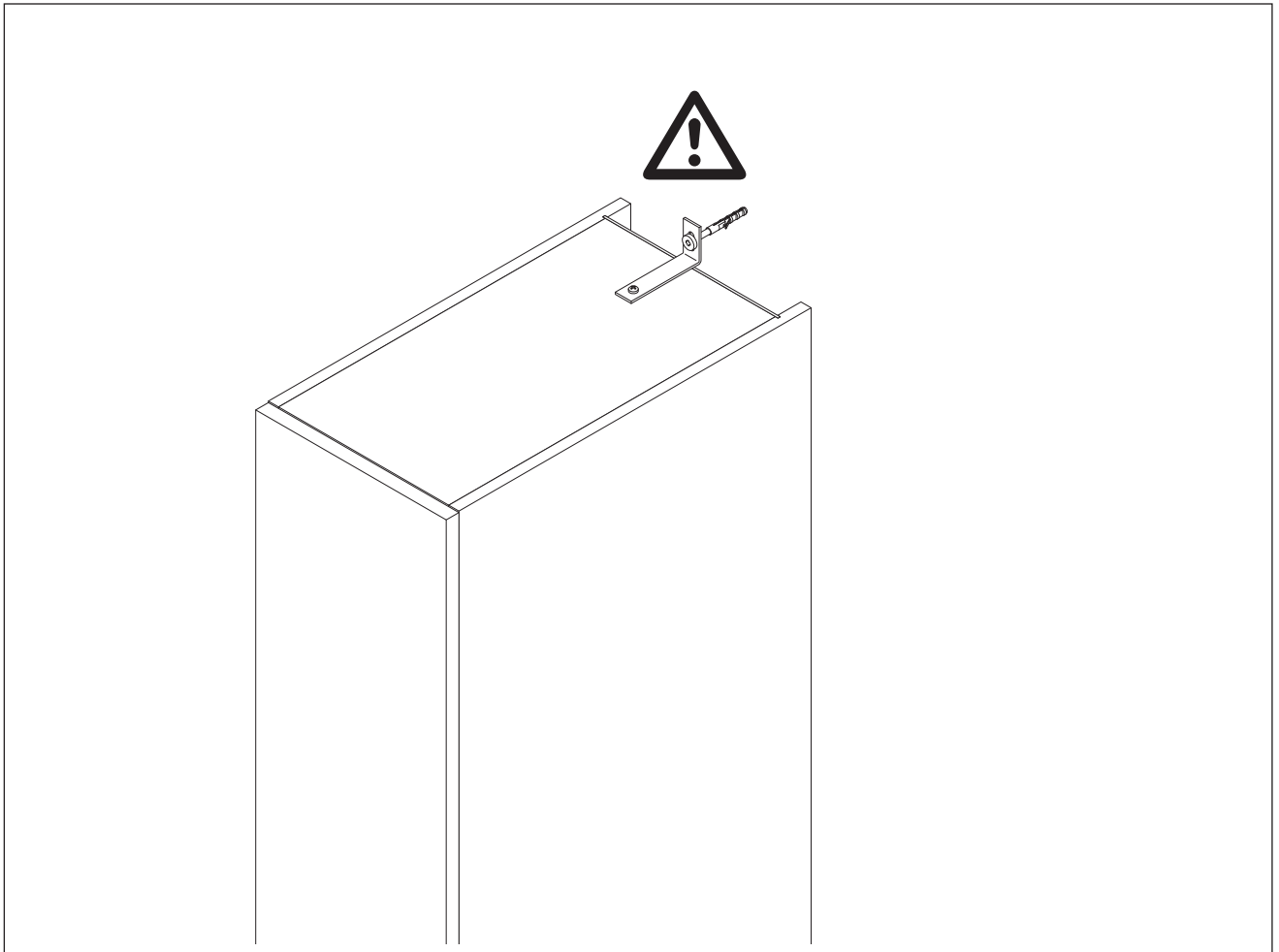
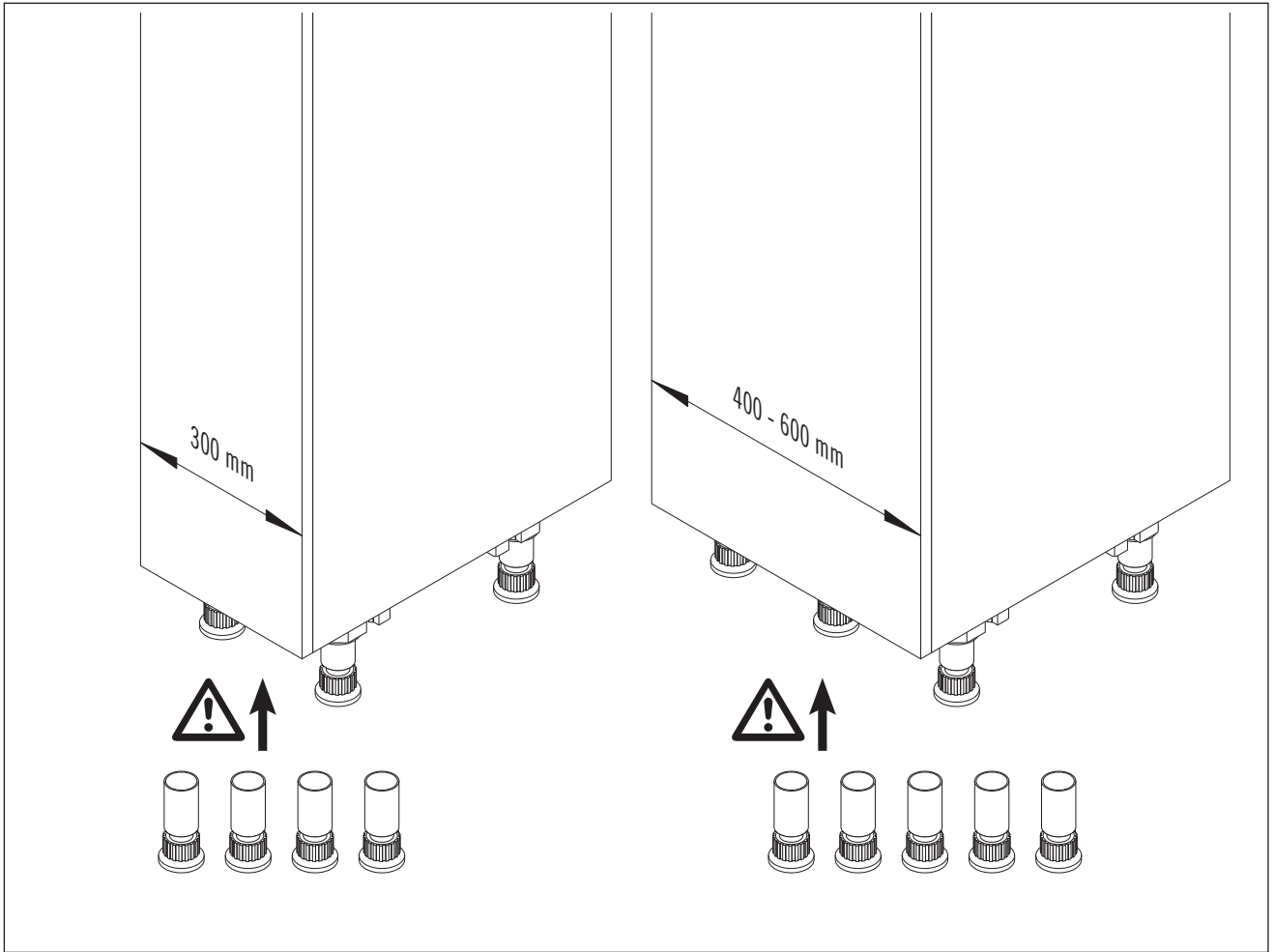


VS TAL[®] Larder 500

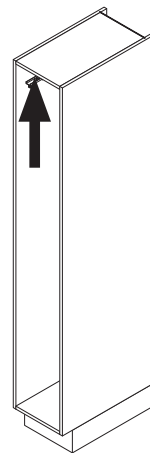
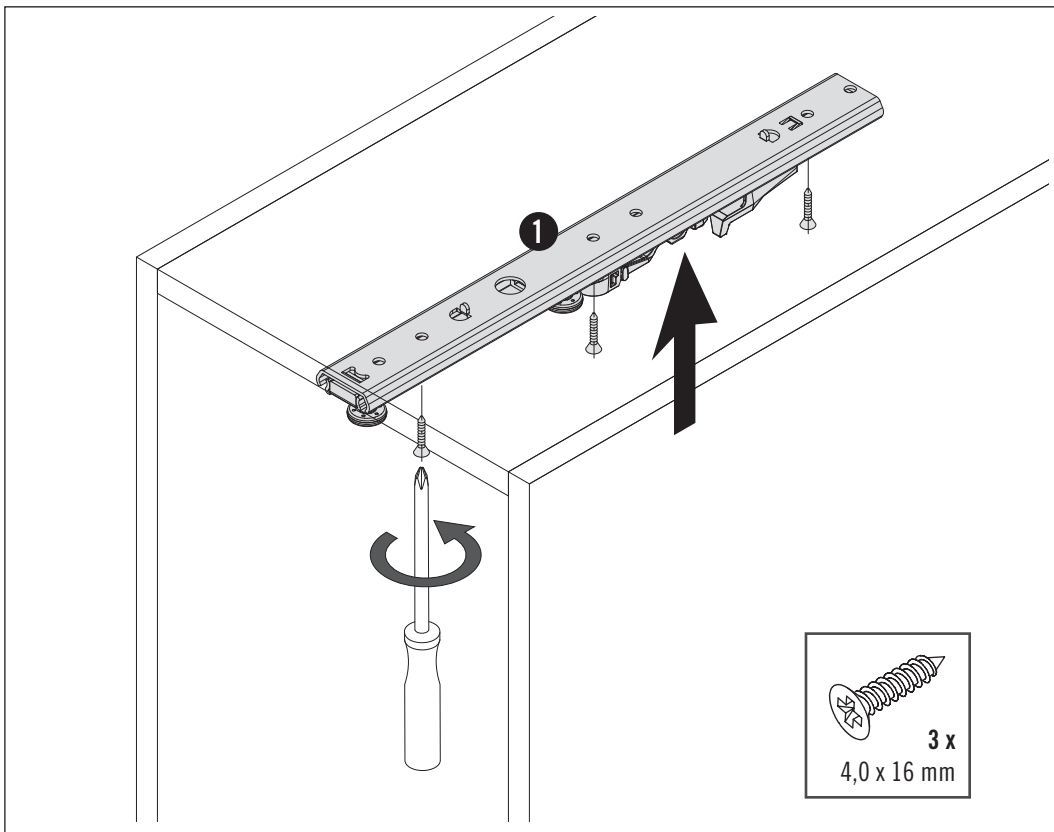
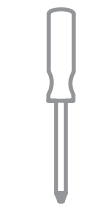
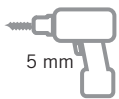




1



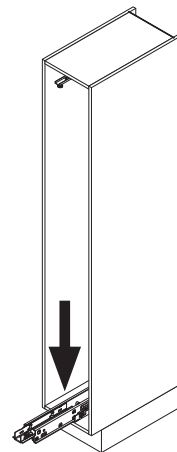
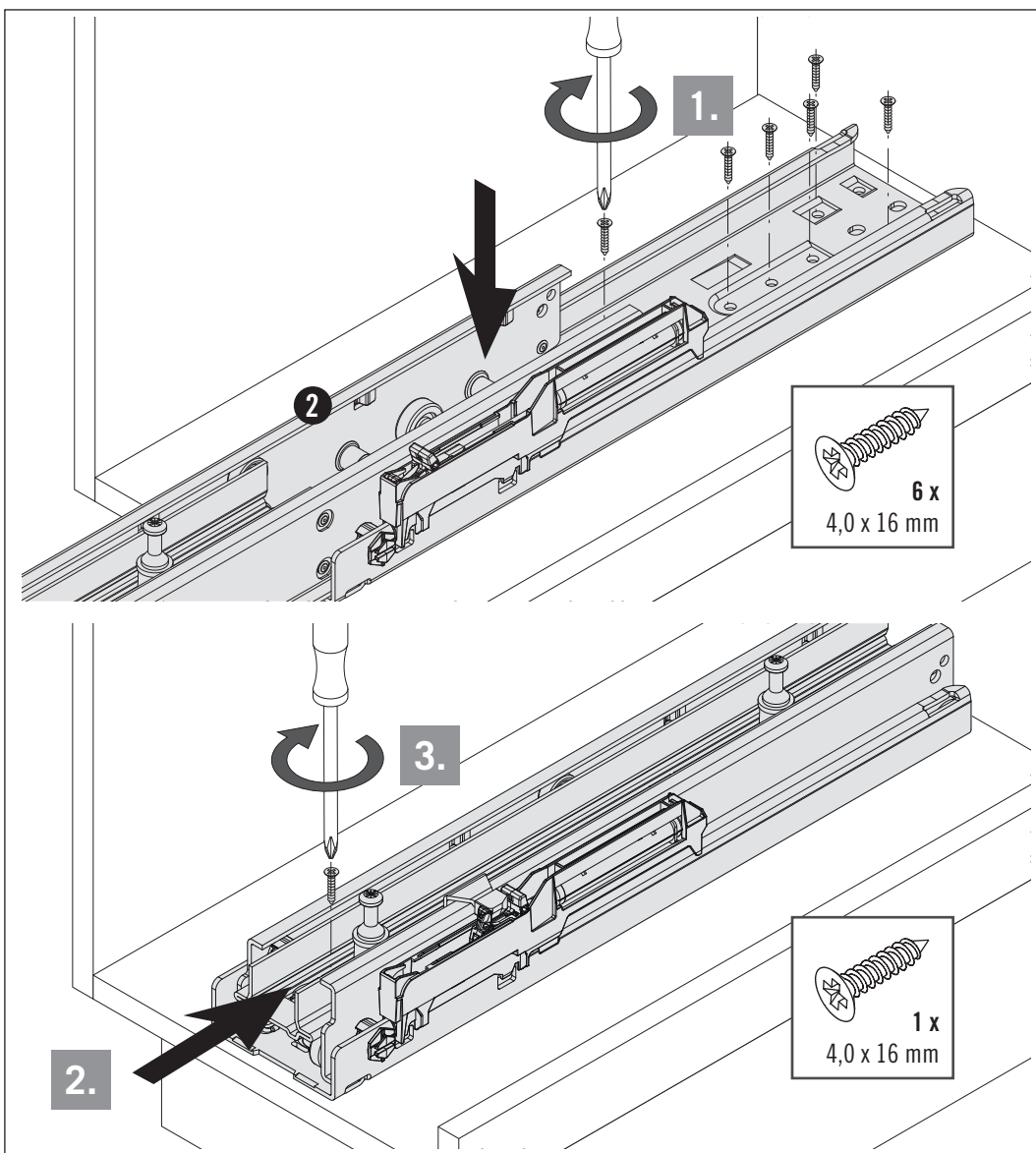
A



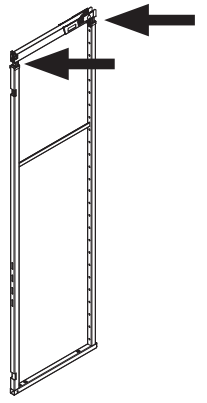
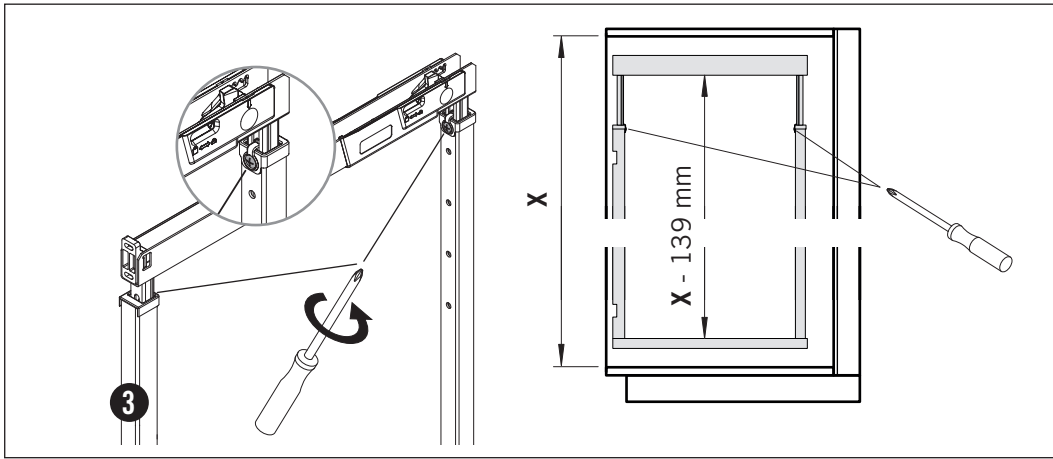
2



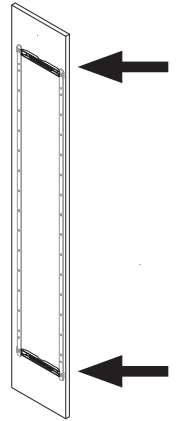
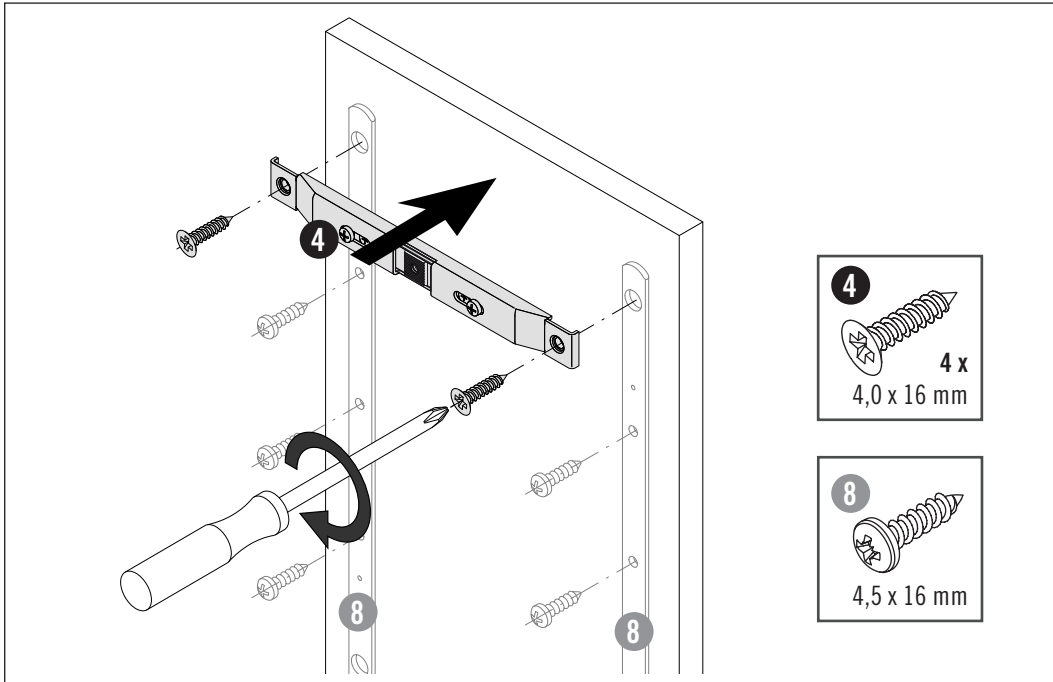
B



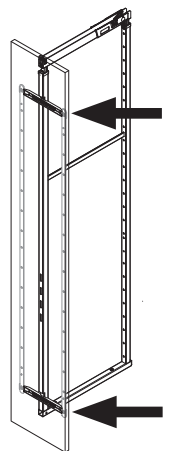
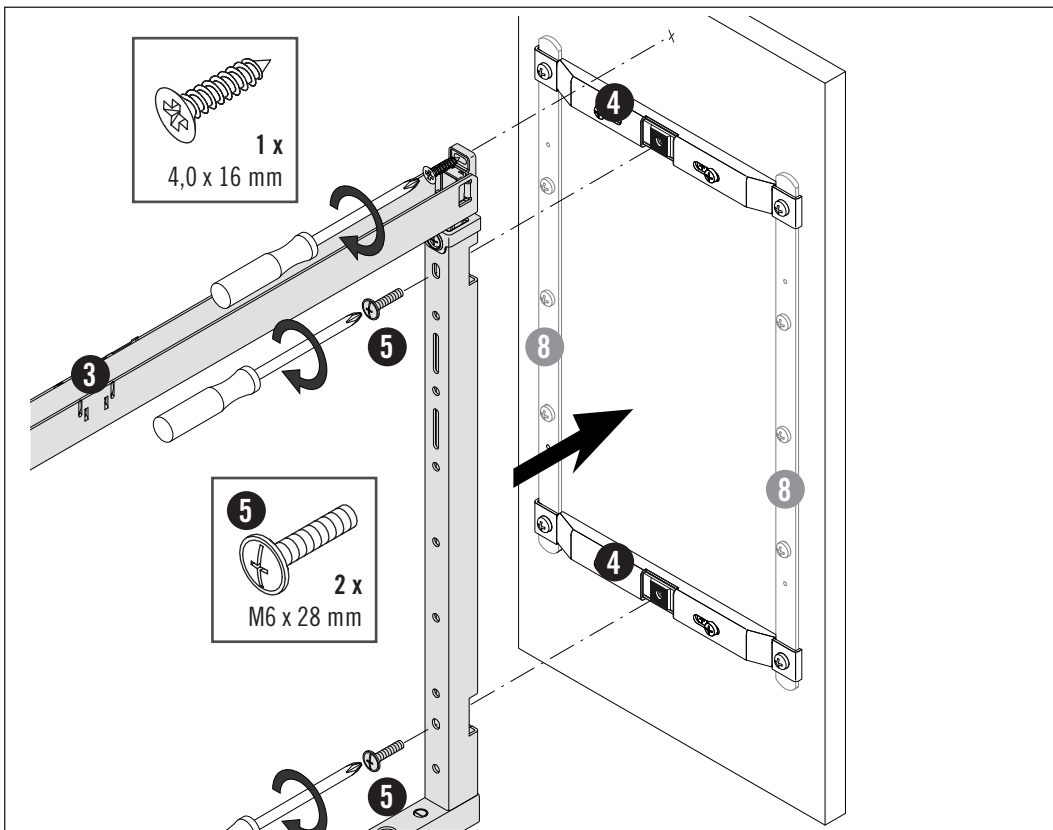
3



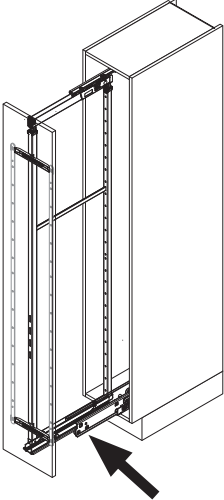
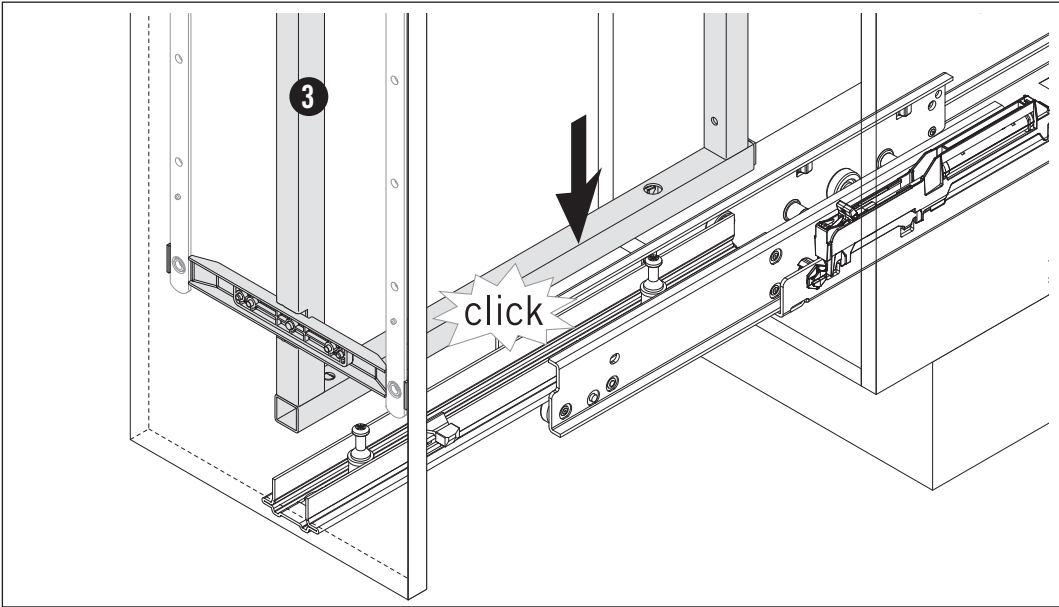
4



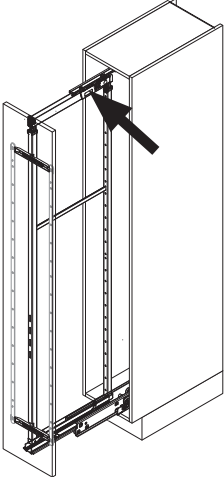
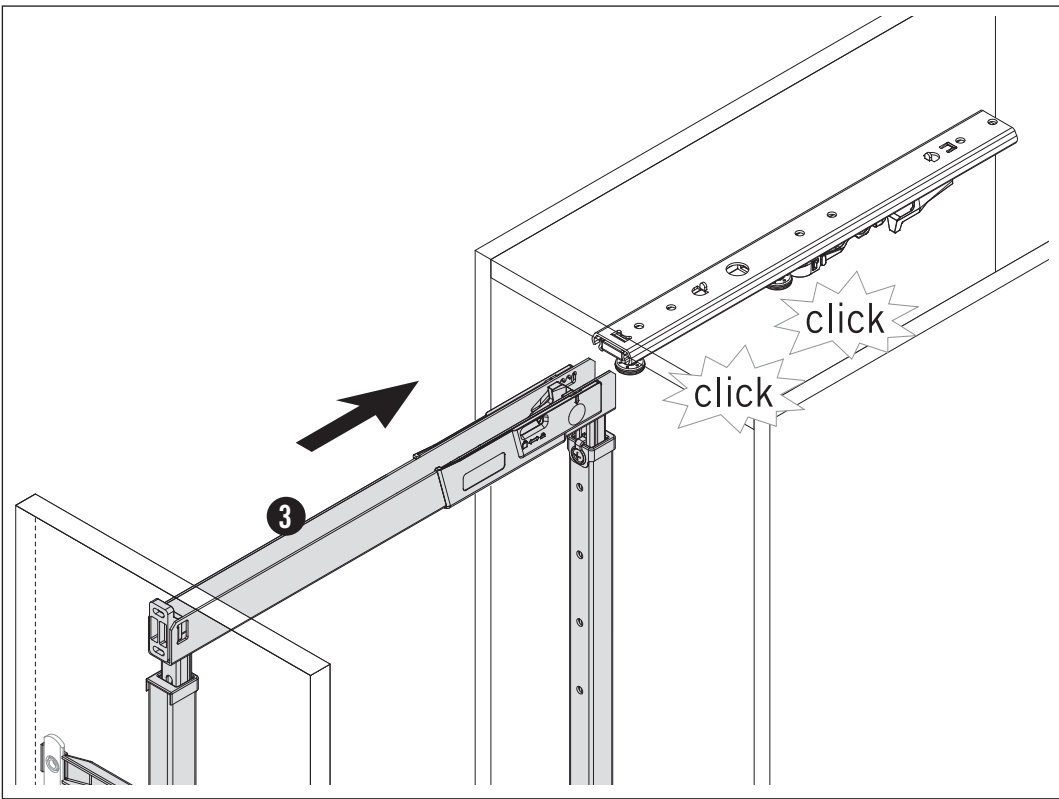
5



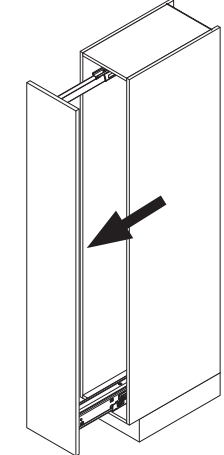
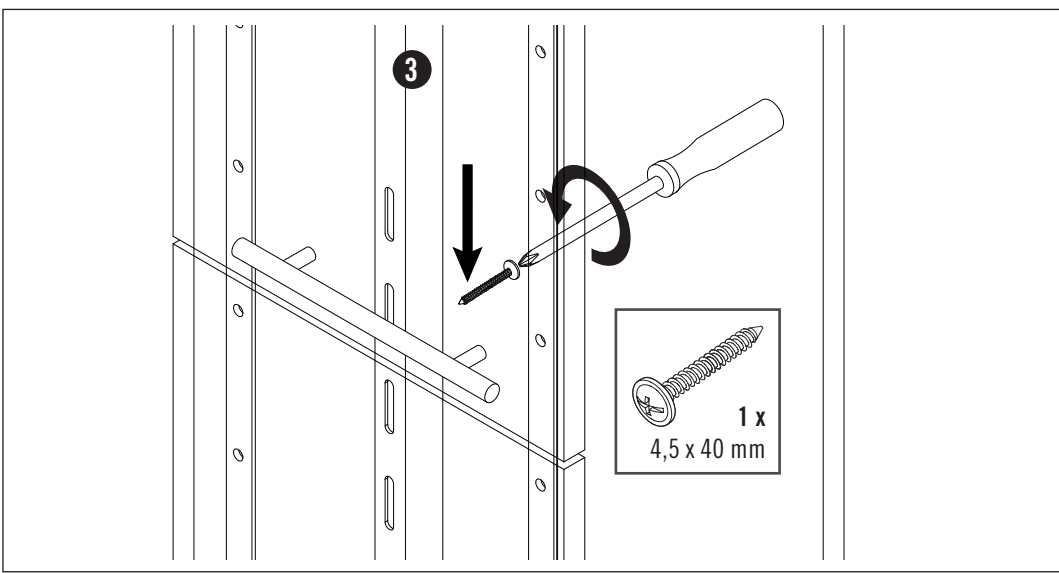
6



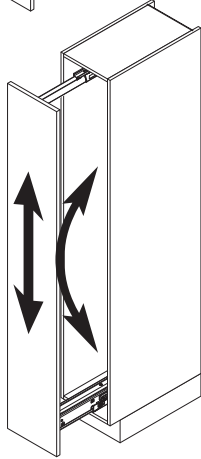
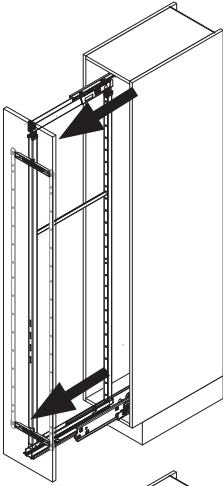
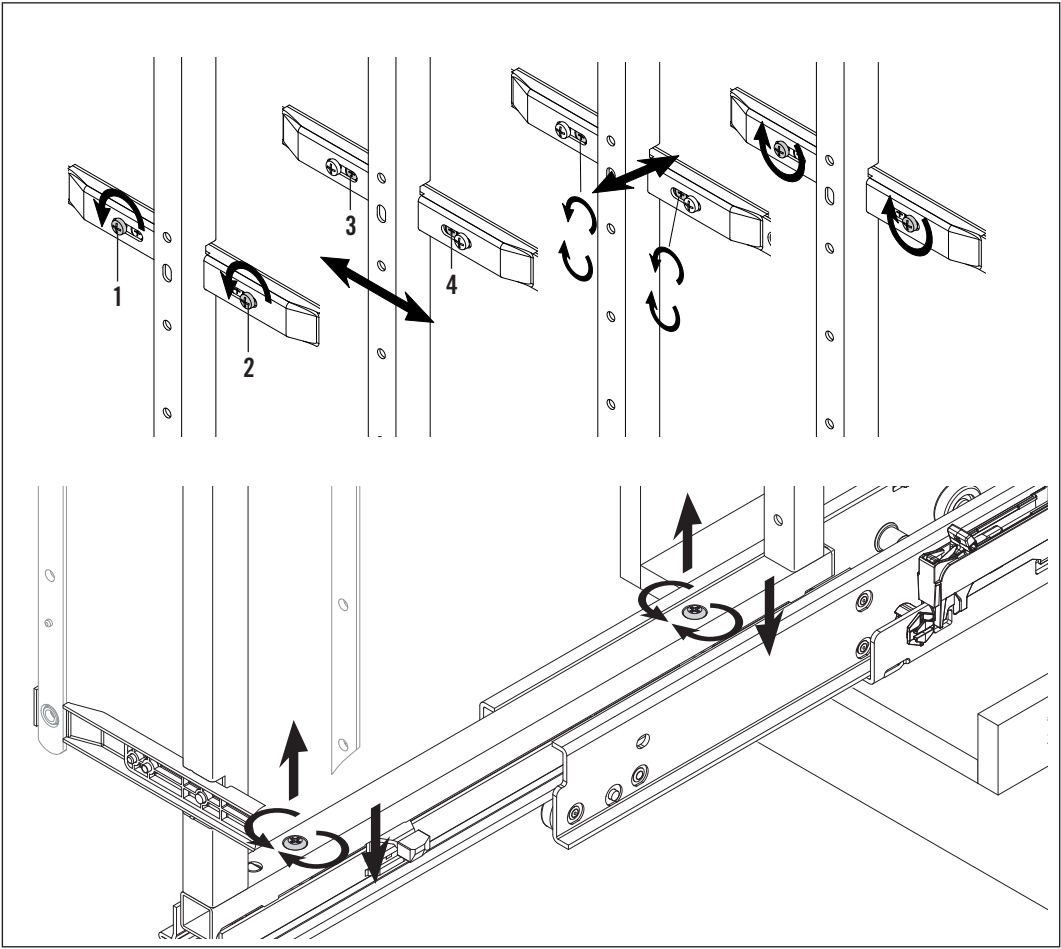
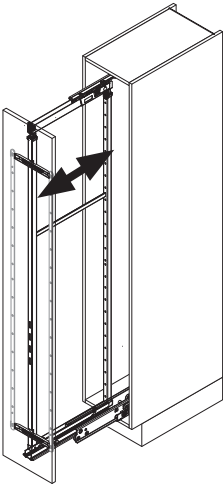
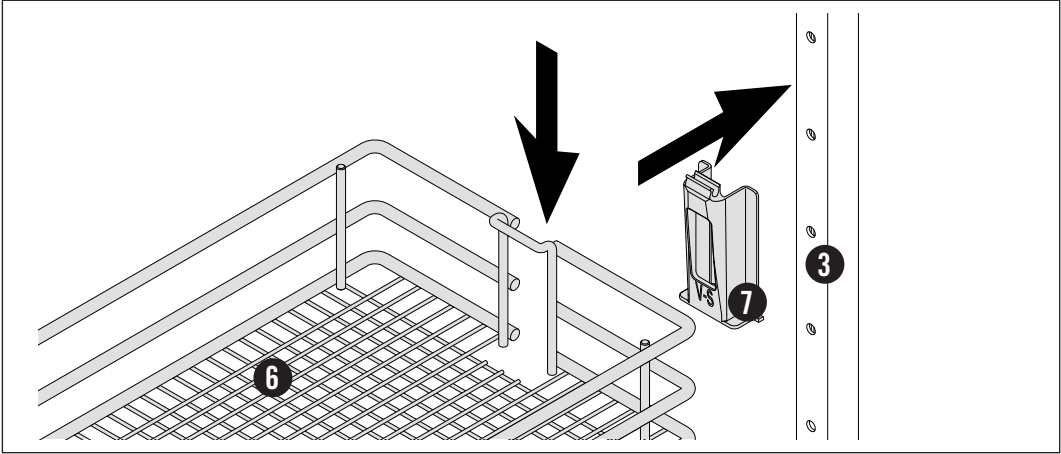
7



8

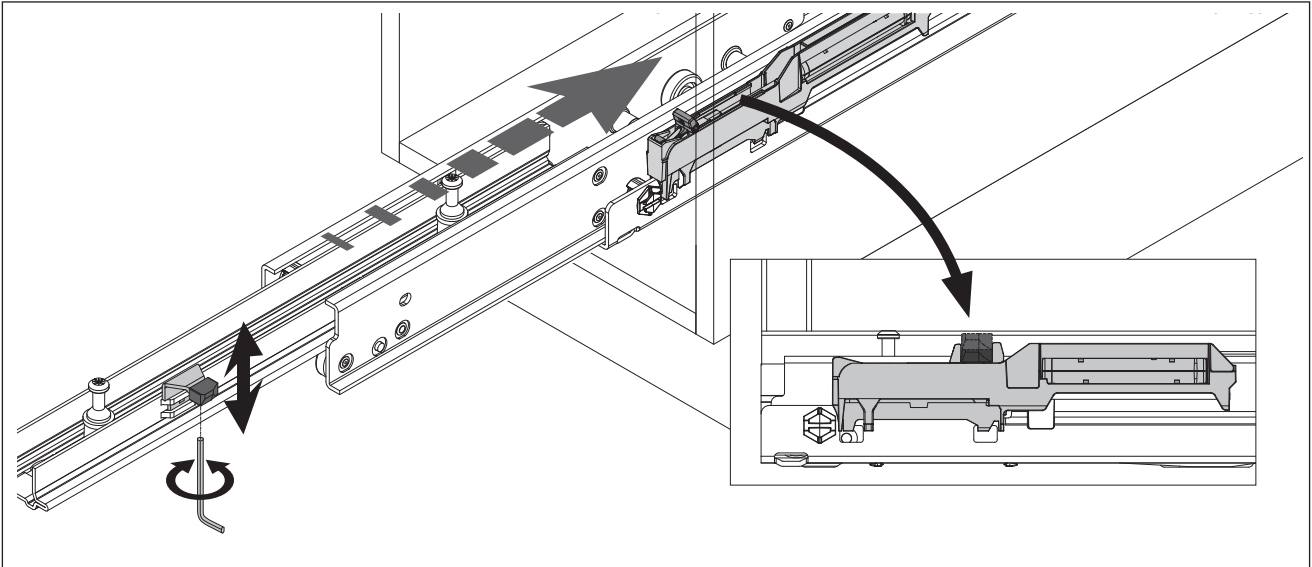


8

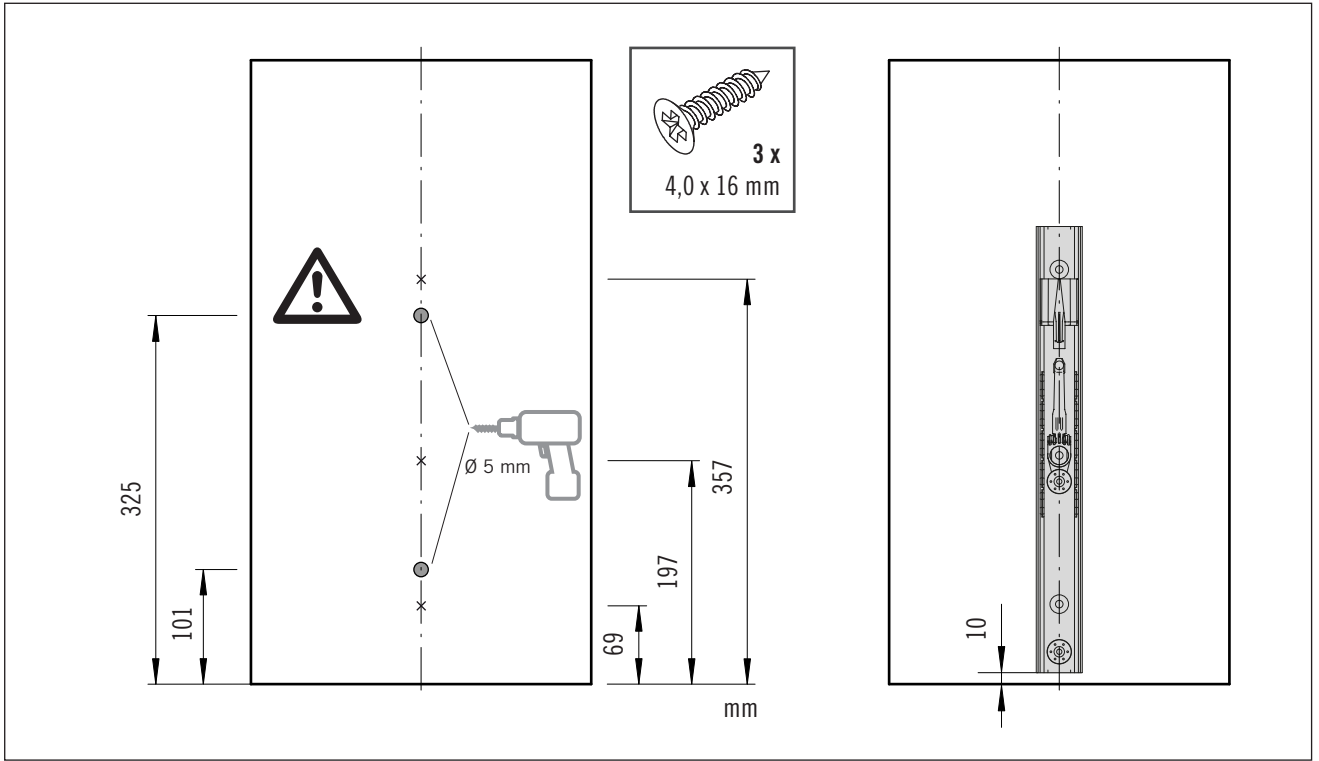


!

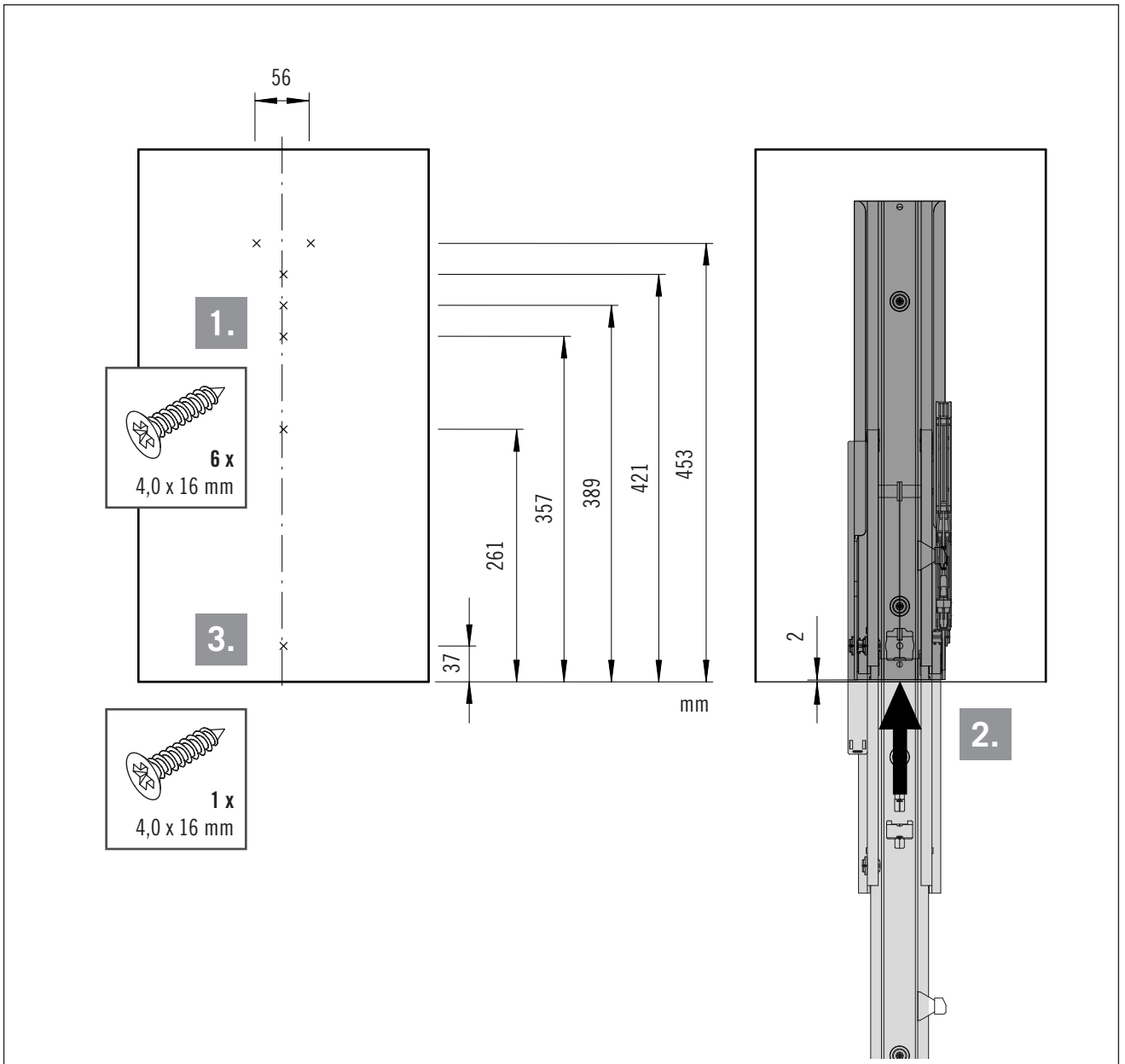
SW 4



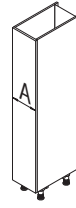
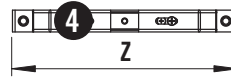
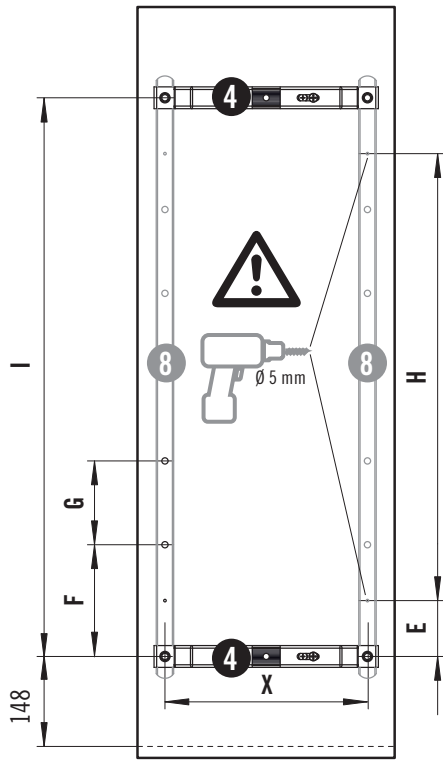
A



B



C



| A | X | Z |
|-----|-----|-----|
| 300 | 232 | 257 |
| 400 | 325 | 350 |
| 450 | 375 | 400 |
| 500 | 425 | 450 |

mm

| VS TAL® Larder | E | F | G | H | I |
|----------------|----|-----|---------|------|------|
| 1 | 64 | 96 | 2 x 96 | 256 | 384 |
| 2 | 64 | 128 | 4 x 96 | 512 | 640 |
| 3 | 64 | 112 | 7 x 96 | 768 | 896 |
| 4 | 64 | 96 | 10 x 96 | 1024 | 1152 |
| 5 | 64 | 128 | 12 x 96 | 1280 | 1408 |
| 6 | 64 | 96 | 14 x 96 | 1408 | 1536 |
| 7 | 64 | 96 | 16 x 96 | 1600 | 1728 |

mm

